

## GENERAL DESCRIPTION

### ASCENDANT 22-17 TRUCK MOUNT

## TECHNICAL SPECIFICATION

### 22-17 TRUCK MOUNT

#### GENERAL

This is our multi-purpose 22m maximum working height access platform mounted onto a free issue vehicle of 7500kg GVW and approximately 4.4m wheelbase.

The telescopic boom plus fly arrangement gives excellent controllability when manoeuvring. The multiple jacking configurations ensure the machine can be set up for working in the most confined spaces.

The design concept includes for oversized structural elements coupled to sensitive, direct hydraulic, controls making the machine feel safer and simpler than its contemporaries when being operated whilst requiring the minimum of maintenance.

The unit is generally as shown on our enclosed drawings but specifically as described below:

#### PERFORMANCE

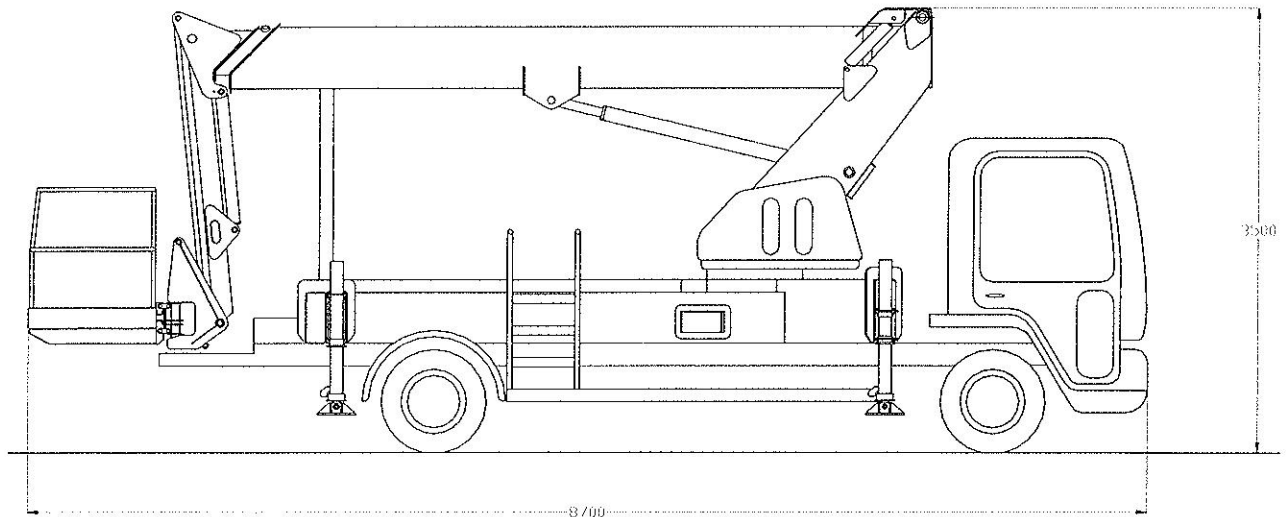
SWL	280kg
Max working height	22m
Max platform height	20m
Max. working outreach	17m (10m restricted option)
Cage dimensions	1.0m x 1.8m x 1.1m high
Cage rotation	160 deg.
Closed height	3.5m
Closed width	2.4m
Travelling length	8.7m
Weight of unit	3900kg excluding vehicle (approx.)

#### **CAGE**

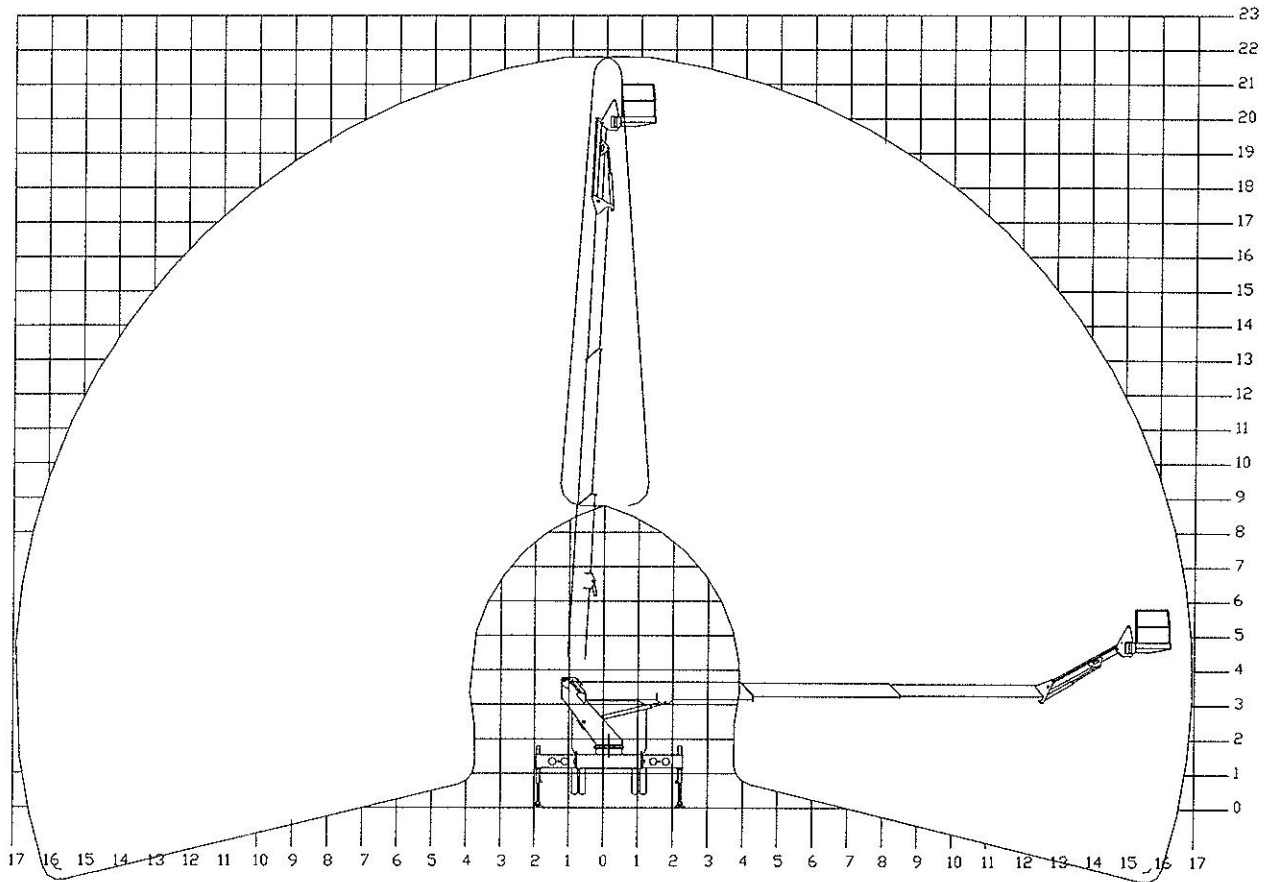
Formed from structural quality 30mm dia. aluminium tubes the top rail is set back from the front of the cage providing finger protection and also presenting a flush face for the cage easing the problems associated with carrying large, flat objects e.g. overhead signs.

Having an uninterrupted plan area of 1m x 1.8m the assembly is suitable for 3 men and tools working.

The cage features a 150mm high kickboard and a mesh floor. Powered 160-deg. rotation will be incorporated.



**22-17 GENERAL ARRANGMENT**



**22-17 WORKING ENVELOPE**