

Features:

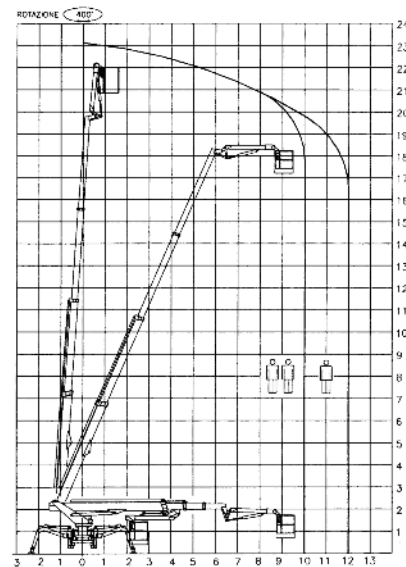
- **Non-marking rubber tracks for use inside and out. Equally at home inside on a marble floor or across a muddy field or construction site.**
- **Removable cage and retractable tracks allows machine to fit through the narrowest entrances.**
- **Great manoeuvrability - can turn on the spot by reversing crawler drive.**
- **Dual safe working load; One man 120kg and two man 200kg cage capacity for extra versatility.**
- **Bi-Energy - Diesel engine for external work and 230VAC electric motor for internal or silent use. Can also be supplied with a DC battery power-pack.**
- **Quick and easy to operate; Radio remote control available for ease of use.**
- **Low weight and minimal point loads allows the machine to be used on sensitive flooring or lawns.**
- **Very flexible due to jib and rotating cage and variable jack positions; Allows access to awkward areas.**



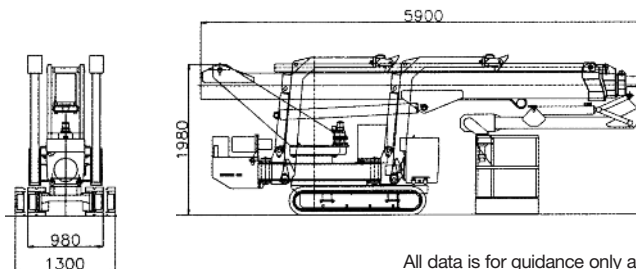
Specification:

Diesel Engine	10kW
Electric Motor	230V - 2.3kW
Maximum Slope	40%
Maximum Speed	2kmh
Turntable Slewing	400°
Aerial Cage	1.75/2.0 x 0.8m
Cage Rotation	80° + 80°
Safe Work Load	200kgs
Weight	3500kgs

Working Envelope:

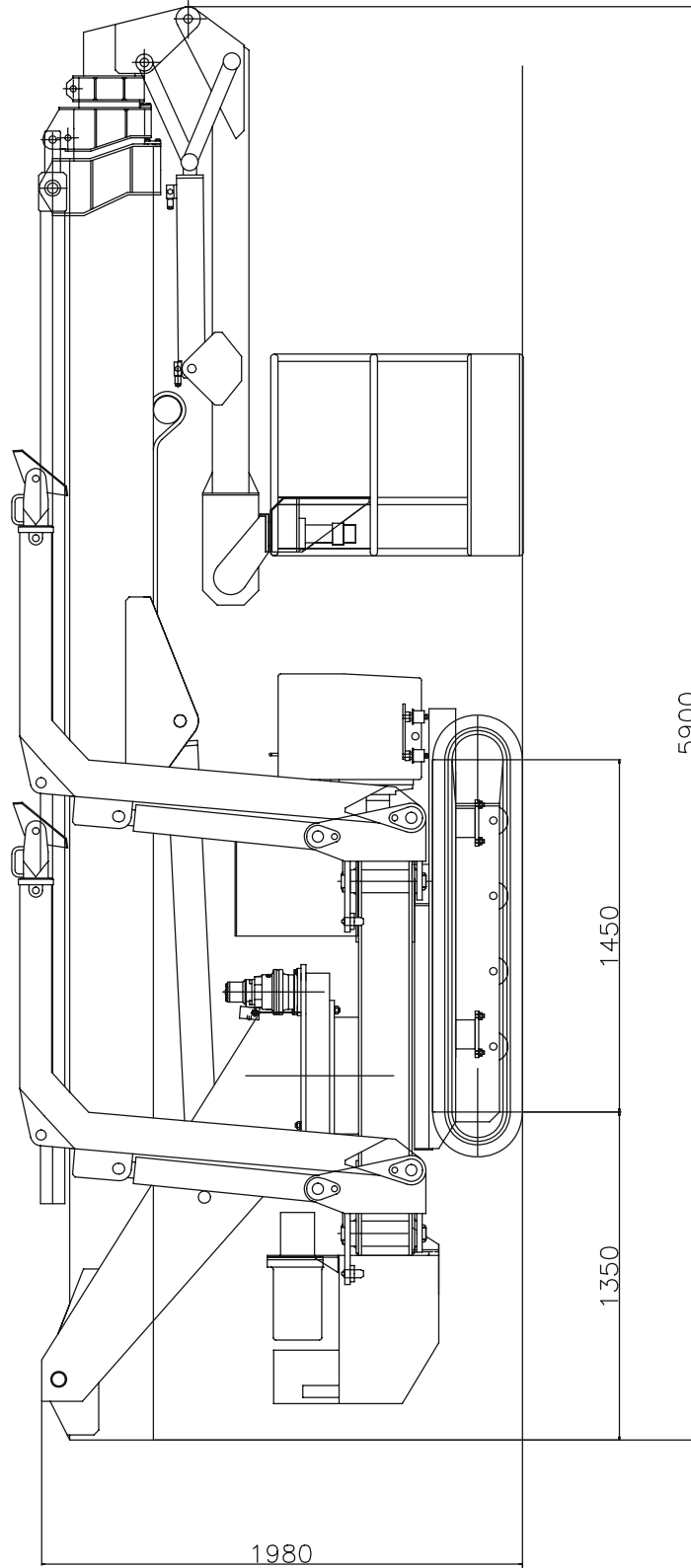


Dimensions:





tracked access ltd: specialist access equipment

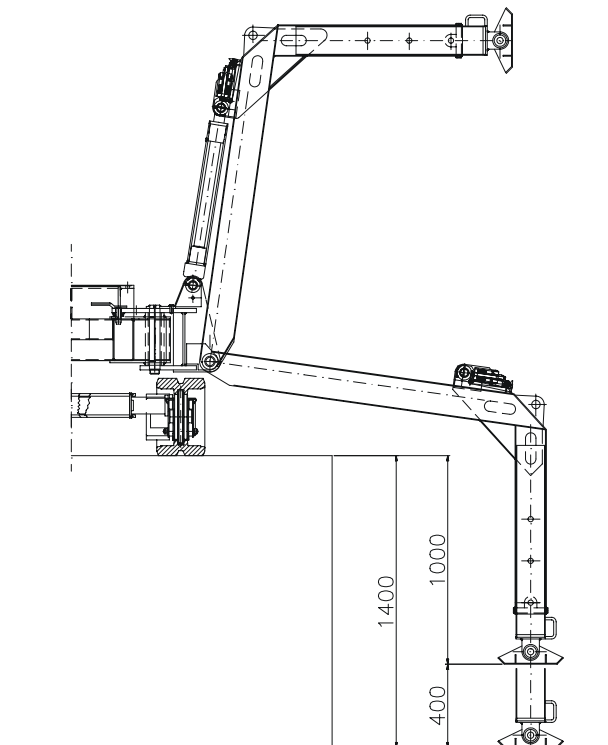
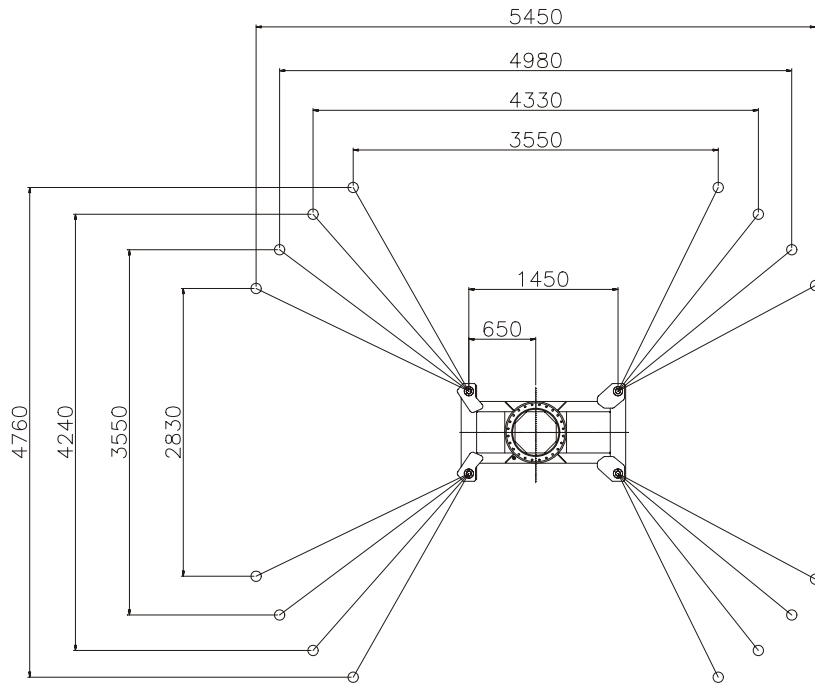


TSJ 23/C



tracked access Ltd: specialist access equipment

**TSJ 23 CRAWLER VERSION
OUTRIGGERS POSITIONS**





TSJ23: WORKING ENVELOPE

