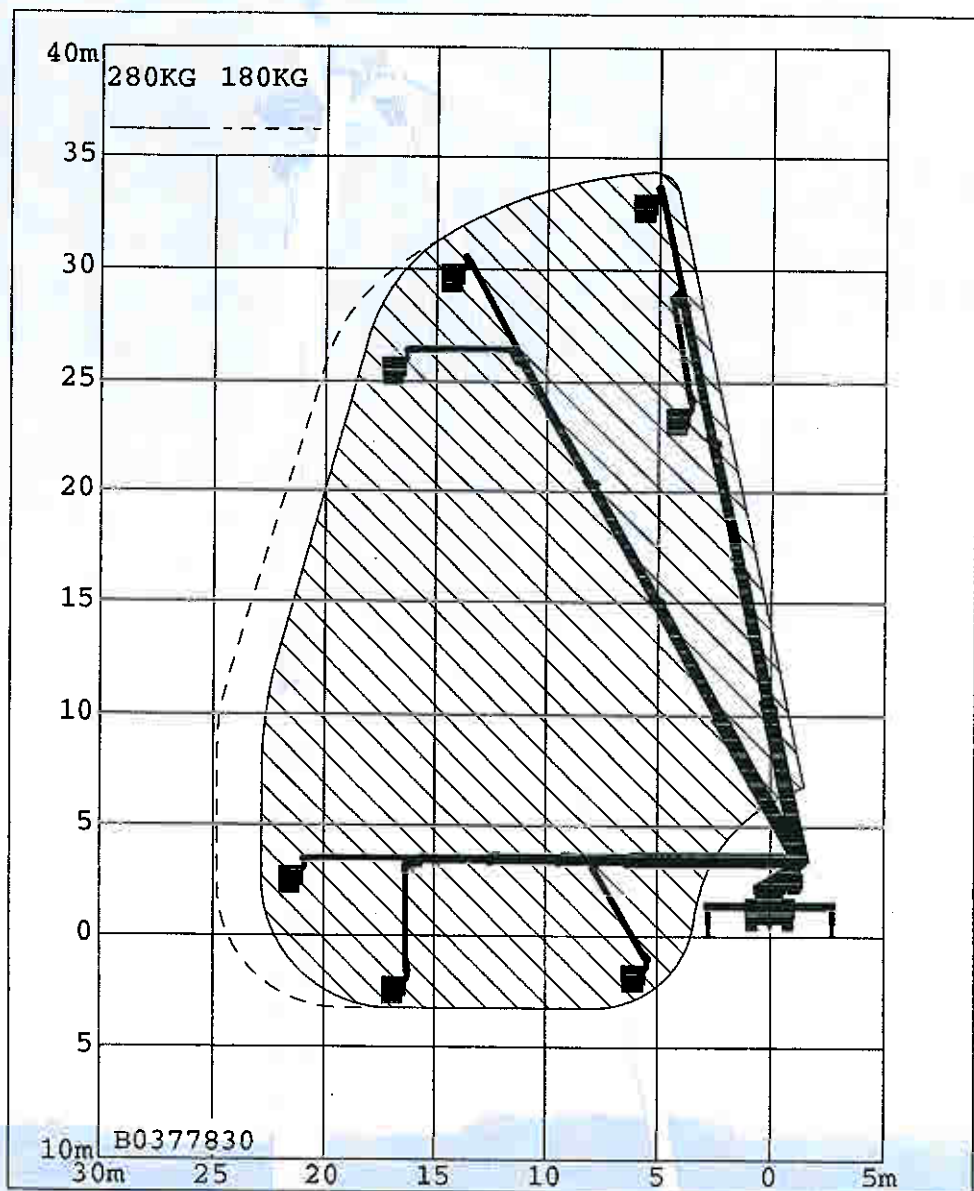
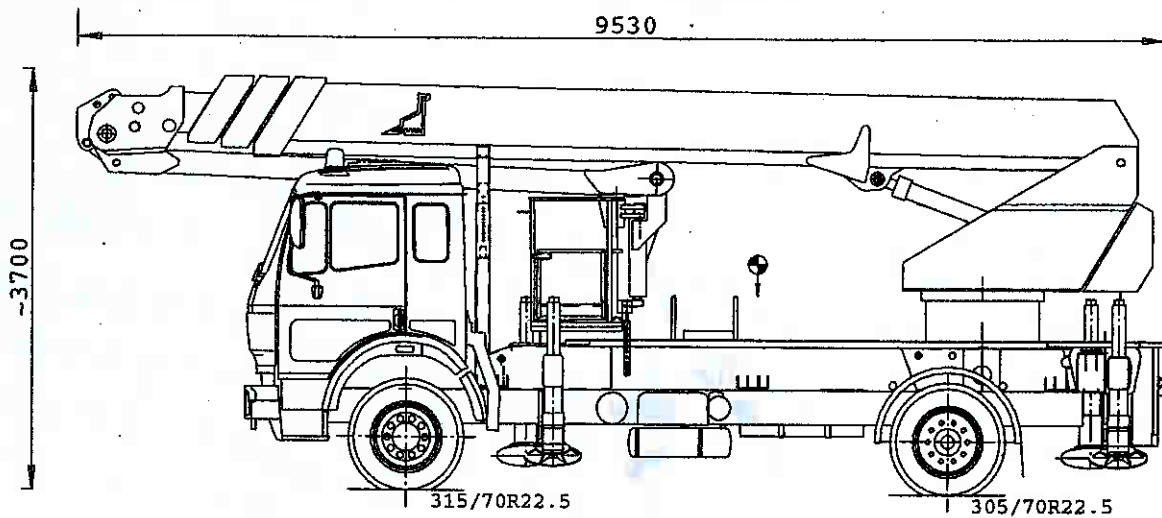


S 34 MDT



Working height, m	34,0
Height to working cage floor, m	32,0
Working outreach, m	22,7/24,7
Outreach to cage corner, m	22,0/24,0
Safe working load, kg	280/180
Rotation	±280°
Transport height, m	3,7
Transport length, m	9,5
Transport width, m	2,5
Outrigger width (C/C), m (front)	5,1
(rear)	5,1
Weight, ton	10,8
Working cage, m	1,0 x 1,8 x 1,1
GVW	18000 kg



Drive	4 x 2
Wheelbase (WB)	4500 - 5100 mm
Engine governor	RQV
PTO	Gear box mounted with any size flange (ZF PTO, type 2b)
Stabilizers	Ratio $i = 0,8...1,2$ Front and rear recommended

Chassis recommendations

MB 1824 / 4 x 2 / 4800
 MAN 18.232F / 4 x 2 / 4500
 VOLVO FL 618 / 4 x 2 / 5000

SCANIA P93M / 4 x 2 / 5000

S 34 MDT

- Electro-hydraulic control system
- Joystick control levers for boom movements in the cage, push button controls at the turntable
- Hydraulic cage levelling system
- Double safety switches for outreach limitation and rotation
- Slow speed movement before meeting outreach limit
- Safety switches for extension chains
- Engine start prevention gear connected
- Automatical interlock system to prevent the lifting of the booms when the outriggers are in transport position
- Signal lights for outriggers and boom transport position in driver's cab
- Back-up system for hydraulics by battery pump
- Push button in the cage for sound signal
- Turntable rotation approx. $\pm 280^\circ$ electrically limited
- Changeable working cage
- Cloth covered turntable
- Aluminium decking with hot dip galvanized frame
- Ladder type step with railing (one side)
- Outrigger ground pads with brackets
- One locker at the rear of the vehicle with hinged door for outrigger control panel
- Flashlights to outriggers
- Side lights (yellow)
- Wheel chocks with brackets
- Plastic mudguards for rear axle
- Mounting on chassis

Bronto Skylift Oy Ab
 Teerivuorenkatu 28
 FIN-33300 Tampere
 Finland
 Tel. +358 3 27 27 111
 Fax +358 3 27 27 300
 www.bronto.fi
 sales@bronto.fi

Bronto Skylift Ab
 Effektivägen 14
 S-196 37 Kungsängen
 Sweden
 Tel.+46 8 5816 6040
 Fax +46 8 5816 6035
 www.bronto.se

Bronto Skylift AG
 Ifangstrasse 111
 CH-8153 Rümlang
 Switzerland
 Tel. +41 1 818 8040
 Fax +41 1 818 8050
 www.bronto.ch

