

Range PX

Cod. PRP1404A

Description: A telescopic platform with a double articulated boom configuration with fully hydraulic proportional controls for high reliability and easy maintenance. Specifically designed to fulfill the high standard of quality requested by professional users, ensuring a long working life and a high residual value.

Performances

Working height mt.		19.50
Max load in the basket kg.	† † †	220
Max working outreach mt.	† † †	8.65
Turret rotation °		450
Hose track		Internal
Controls in the basket		Hydraulic multifunctions iovstick

Platform specifications

Steel basket dimensions mt.	1.40x0.70
Fiberglass basket dimensions mt.	1.20x0.70
Basket rotation °	70 + 70
Front outriggers	Inclined
Back outriggers	Inclined
Foot plate gauge min. mt.	2.54



Assembling

This assembly represents the "multipurpose" version with outriggers slightly outside the vehicle mirrors width. The excellent capacity of levelling allows however high performances and operational possibilities.

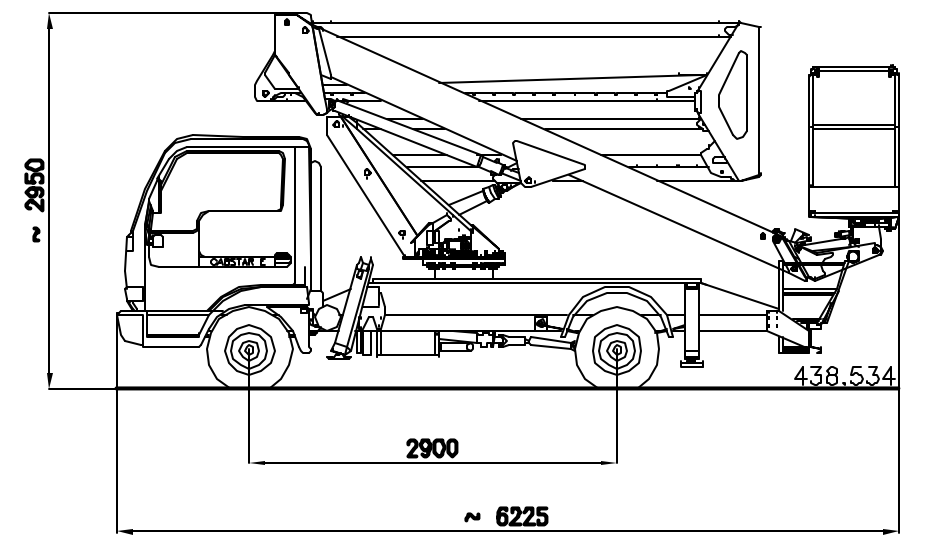
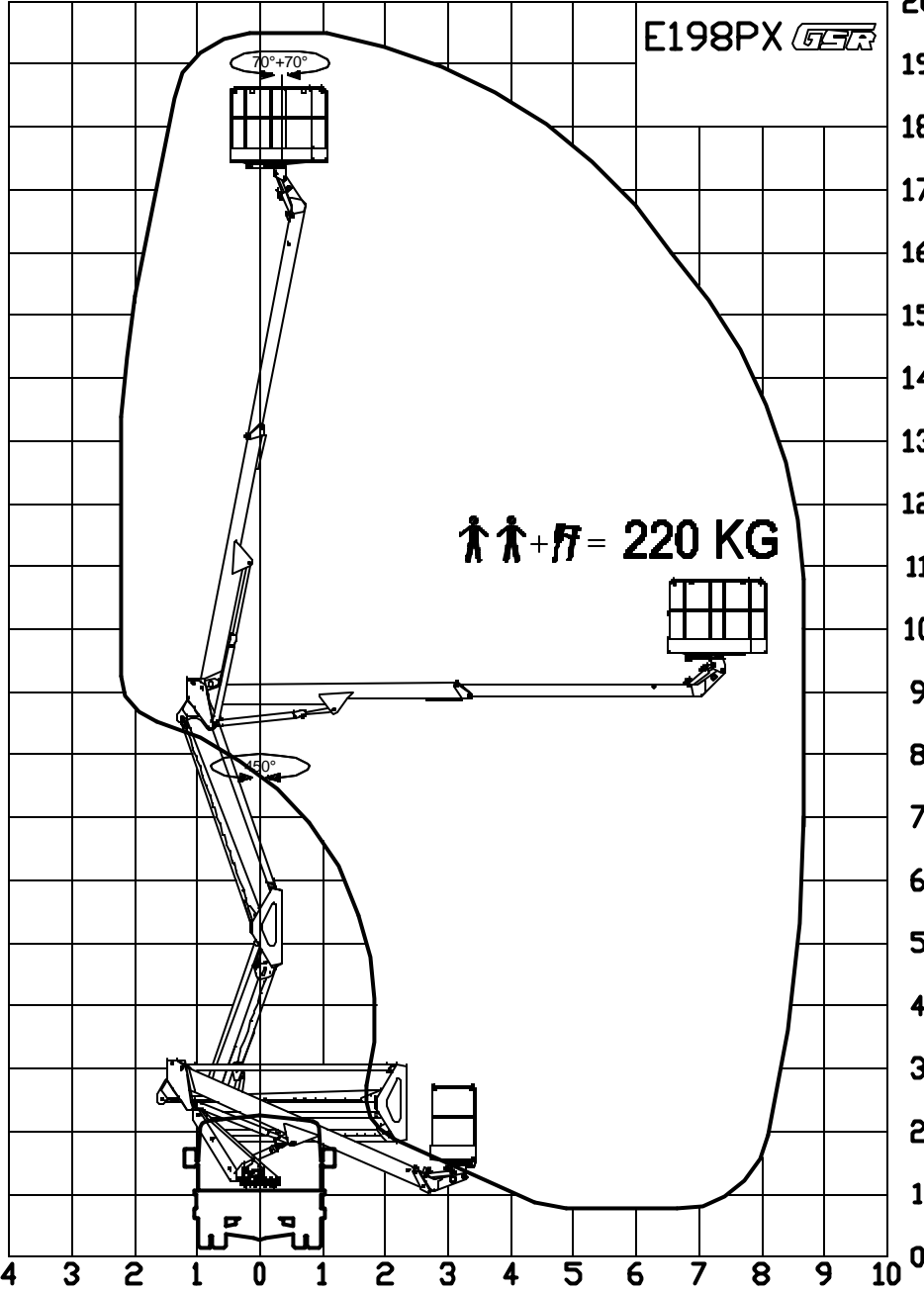
Body Purposely designed assembly to optimize functionality and utilization


Standards CE certificate

Accessories There are available a wide range of accessories, many of them are already included as standard machine. It is recommended to contact our sales network for more information.

Other types of assembling and different vehicles We are in position to propose the same machine with different type of assembly and / or on different types of vehicles. Contact our sales organization to obtain information about all the possible solutions that we are able to offer.

439.329



MAX SAFE WORKING LOAD	 220 KG
MAX NENNTRAGFAHIGKEIT IM KORB	
MAX CHARGE NOMINALE DANS LE PANIER	
MAX PORTATA NOMINALE IN NAVICELLA	



DENOMINAZIONE
E198PX Basic
 NISSAN TL 35 - 3.5 T

DATE **28-09-2004**
 CODE **PRP1404**

APPROXIMATE DATA - TECHNISCHE ANDERUNGEN VORBEHALTEN
 DONNEES INDICATIVES - DATI INDICATIVI

AGGIORNAMENTI MODIFICHE AD Appletcna.to v. 11/11/2004 FR

<input checked="" type="checkbox"/>	C	F
<input type="checkbox"/>	B	F
<input type="checkbox"/>	D	