

# Specifications

## MODEL TZ™-34/20

MEASUREMENTS	Metric	US
Working height*	12.36 m	40 ft
Platform height	10.36 m	34 ft
Entry height - extended	16 cm	6.4 in
Horizontal reach	5.59 m	18 ft 4 in
Clear out reach	4.09 m	13 ft 5 in
Up-and-over clearance	4.90 m	16 ft 1 in
<b>A</b> Platform length	68 cm	2 ft 2.8 in
<b>B</b> Platform width	1.12 m	3 ft 8 in
<b>C</b> Height - stowed	1.94 m	6 ft 4.5 in
<b>D</b> Length - stowed	5.50 m	18 ft .5 in
<b>E</b> Width - stowed	1.45 m	4 ft 9.1 in
<b>F</b> Ground clearance	24 cm	9.5 in
<b>G</b> Length - outrigger footprint	3.26 m	10 ft 8.4 in
<b>H</b> Width - outrigger footprint	3.59 m	11 ft 9.4 in

## PRODUCTIVITY

Lift capacity - standard	200 kg	440 lbs
Lift capacity - rotating platform	181 kg	400 lbs
Self levelling platform	standard	standard
Platform rotation option	90° mechanical	90° mechanical
AC power to platform	standard	standard
Turntable rotation	359° non-continuous	
Outrigger levelling capability	10.5°	10.5°
Towing speed rate	97 km/h	60 mph
Tongue weight	74 kg	163 lbs
Surge and parking brakes	standard	standard
Controls	variable speed system	
Tyre size	185 R14C tyres	
Coupler	50 mm ball coupler	

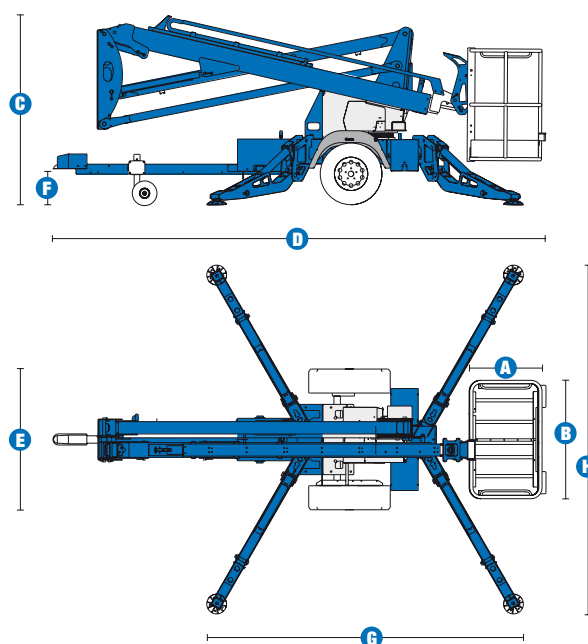
## POWER

Power source	24 V DC (four 6 V 225 Ah batteries)	
Hydraulic tank capacity	14.57 L	3.85 gal
Hydraulic system capacity	17 L	4.5 gal

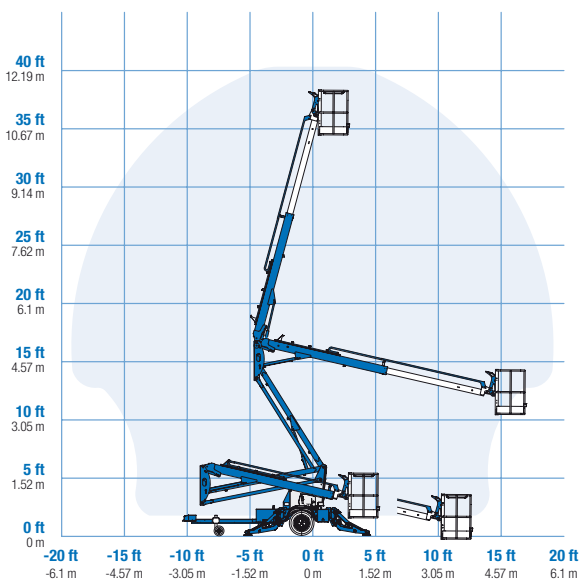
## WEIGHT\*\*

	1,438 kg	3,170 lbs
--	----------	-----------

## STANDARDS COMPLIANCE CE EN280, PB-10-611-03



## RANGE OF MOTION TZ™-34/20



\* The metric equivalent of working height adds 2 m to platform height. U.S. adds 6 ft to platform height.  
\*\* Weight will vary depending on options and/or country standards.

## Features

### EASILY CONFIGURED TO MEET YOUR NEEDS

#### PLATFORM OPTIONS

- Aluminium .68 x 1.12 m (26.8 x 44 in)
- 90° mechanical platform rotation

#### POWER

- 24 V DC power source

#### COUPLER OPTIONS

- 50 mm ball coupler

#### TYRE

- 185 R14C tyres



### STANDARD FEATURES

#### MEASUREMENTS

- 12.36 m (40 ft) working height
- 5.59 m (18 ft 4 in) horizontal reach
- Up to 200 kg (440 lb) lift capacity

#### PRODUCTIVITY

- Industry leading working envelope
- Extension boom
- Self-levelling platform
- Variable speed control system
- AC wiring to platform
- Hydraulic outriggers
- Automatic 10.5° levelling system
- Outrigger interlocks
- Mechanical parking brake
- Hydraulic surge brakes
- Auxiliary pump down
- 50 mm ball coupler
- Dual jockey wheels
- 359° non-continuous turntable rotation
- Easy to access batteries
- Hour meter
- Tilt alarm / sensor
- Forklift pockets
- Illuminated outrigger indicators
- Certified load sensor

#### POWER

- 24V DC power source  
(four 6V 225 Ah batteries)

### OPTIONS & ACCESSORIES

#### PRODUCTIVITY

- 90° mechanical platform rotation
- Wheel chocks
- Fluorescent tube caddy
- Full size spare tyre
- Operational warning beacon package
- Non-marking outrigger footpads
- Battery charge indicator (BCI)
- Tool tray
- Bicycle guard\*

\*Standard in The Netherlands

#### Distributed By:

#### UK

Millennium House  
Brunel Drive  
Newark NG24 2DE  
UK  
Tel: +44 (0)1476 584333  
Fax: +44 (0)1476 584334

#### France

10, ZA de la Croix St. Mathieu  
28320 Gallardon  
France  
Tel: +33 (0)2 37 26 09 99  
Fax: +33 (0)2 37 26 09 98

#### Germany

Finienweg 3  
28832 Achim/Bremen  
Germany  
Tel: +49 (0)4202 8852-0  
Fax: +49 (0)4202 8852-25

#### Spain

Gaià 31, Pol. Ind. Plá d'en Coll  
08110 Montcada i Reixac  
Barcelona  
Spain  
Tel: +34 93 572 50 90  
Fax: +34 93 572 50 91

#### Scandinavia

Importgatan 17  
422 46 Hisings Backa  
Sweden  
Tel: +46 31 57 51 00  
Fax: +46 31 57 90 20

#### Middle East

Terex Middle East  
PO Box 282325, Dubai  
U.A.E.  
Tel: +971 4 339 1800  
Fax: +971 4 339 1802  
Email: InfoME@terex.com

#### Genie United States

18340 NE 76th Street  
P.O. Box 97030  
Redmond, WA  
USA 98073-9730  
Tel: +1 425 881-1800  
Fax: +1 425 883-3475

**Email:** AWP-InfoEurope@terex.com